

8MP(4K) Fixed Dome Network Camera

FVN-IP 8MP DOME



Key Features

Optics

- Day/night functionality
- Smart IR, up to 30 m (98 ft) IR distance
- 2D/3D DNR (Digital Noise Reduction)

Compression

- Ultra 265,H.265,H.264,MJPEG
- Triple streams
- ROI (Region of Interest)

Network

- ONVIF Conformance

Structure

- Wide temperature range: -30°C ~ +60°C (-22°F ~ 140°F)
- Wide voltage range of ±25%
- IP67

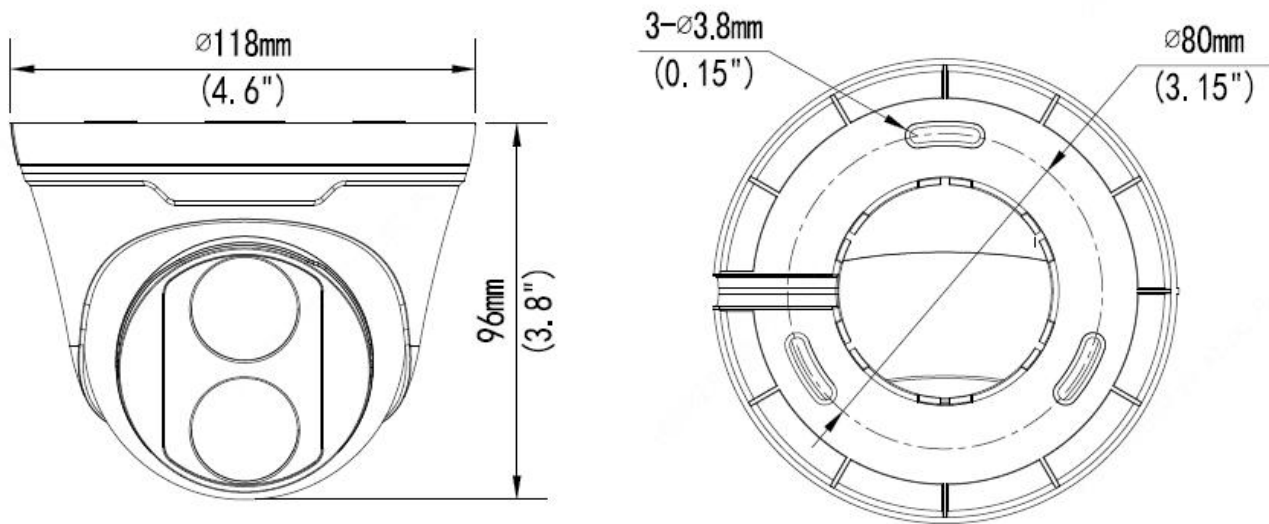
3-Axis

Specifications

FVN-IP 8MP DOME					
Camera					
Sensor	1/3", 8.0 megapixel, progressive scan, CMOS				
Lens	2.8mm@F2.0				
DORI Distance	Lens	Detect(m)	Observe(m)	Recognize(m)	Identify(m)
	2.8mm	84	33.6	16.8	8.4
Angle of view(H)	112.7°		86.5°		
Angle of View (V)	60.1°		44.1°		
Angle of View (O)	146.5°		106.4°		
Shutter	Auto/Manual, 1~1/100000 s				
Adjustment angle	Pan: 0°~360°		Tilt: 0°~80°		Rotate:0°~360°
Min. Illumination	Colour: 0.01 Lux (2.0, AGC ON) 0 Lux with IR				
Day/Night	IR-cut filter with auto switch (ICR)				
Digital noise reduction	2D/3D DNR				
S/N	>56dB				
IR Range	Up to 30m (98 ft) IR range				
Defog	Digital Defog				
WDR	120dB				
Video					
Video Compression	Ultra 265, H.265, H.264, MJPEG				
H.264 code profile	Baseline Profile, Main Profile				
Frame Rate	Main Stream:8MP (3840*2160): Max. 20 fps; 5MP (2592*1944): Max. 30 fps; 5MP(2944*1656): Max. 30 fps; 4MP(2560*1440): Max. 30 fps; 2MP(1920*1080): Max. 30 fps Sub Stream:720P (1280*720): Max. 20 fps Third Stream:D1 (720*576): Max. 20 fps				
HLC	Supported				
BLC	Supported				
OSD	Up to 4 OSDs				
Privacy Mask	Up to 4 areas				
ROI	Up to 2 areas				
Motion Detection	Up to 4 areas				
Network					
Protocols	IPv4, IGMP, ICMP, ARP, TCP, UDP, DHCP, RTP, RTSP, RTCP, DNS, DDNS, NTP, FTP, UPnP, HTTP, HTTPS, SMTP, SSL,QoS				
Compatible Integration	ONVIF (Profile S+ Profile T), API				
Interface					
Network	10/100M Base-TX Ethernet				
General					
Power	12 V DC±25%, PoE (IEEE802.3 af)				
	Power consumption: Max 5W				

Dimensions (Ø x H)	Φ118×96mm (Φ4.6"×3.8")
Weight	0.33kg (0.73lb)
Working Environment	-30°C ~ +60°C (-22°F ~ 140°F), Humidity: ≤95% RH(non-condensing)
Ingress Protection	IP67

Dimensions



NSW (HEAD OFFICE)

(02) 9700 1700
nsw@fermaxaus.com.au

SA OFFICE

(08) 7009 4288
sa@fermaxaus.com.au

QLD OFFICE

(07) 5520 2266
qld@fermaxaus.com.au

ACT OFFICE

(02) 6190 1555
act@fermaxaus.com.au

VIC OFFICE

(03) 9314 2220
vic@fermaxaus.com.au

NT OFFICE

(08) 7999 9162
nt@fermaxaus.com.au

WA OFFICE

(08) 9240 2624
wa@fermaxaus.com.au

NZ OFFICE

(09) 337 6229
nz@fermaxnz.co.nz